

Distributed Architectures and Implementations of Observer Based Controllers for Performance Optimization

Vikas Yadav
Dept. of Electrical and
Computer Engg.,
Iowa State University,
Ames, Iowa, USA

Petros G. Voulgaris
Dept. of Aerospace Engg.,
Coordinated Science Lab,
University of Illinois at Urbana-Champaign,
Urbana, IL, USA

Murti V. Salapaka
Dept. of Electrical and
Computer Engg.,
Iowa State University,
Ames, Iowa, USA

Abstract—In this paper we address the problem of synthesizing controllers that have to be implemented distributively and have structure. The effect of sub-controller to sub-controller communication noise on stability and performance is considered. Using an observer based controller parameterization, we provide suitable stabilizing sub-controller architectures that directly take into account the effect of communication noise on performance. In particular, the overall performance optimization can be cast as a convex problem in the Youla-Kucera parameter Q . Similar results hold for banded controller structures, i.e., when there is also a delay in the subsystem to subsystem communication.

I. INTRODUCTION

In large complex systems it is often desirable to implement the controller in a distributive manner. Such a task is becoming increasingly relevant because of the use of massively parallel systems that employ large numbers of sensors and actuators. For example, massively parallel cantilever based data storage and read out technologies hold the promise to revolutionize memory devices [6]. In such applications, the controller can not be realized at a single station due to the associated large computational load. This issue raises the important question on how to divide the control task into the various stations and characterize the effect of communication noise and uncertainty in the overall system performance. Such a distributed realization of an overall controller may also be necessary due to a priori imposed structural requirements such as decentralization (e.g., different actuator-sensor geographical locations in a networked control application).

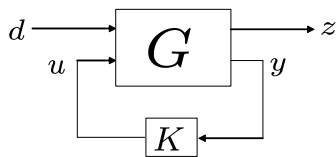


Fig. 1. $G - K$ framework.

In this paper, we utilize the general framework illustrated in Figure 1 where G represents the generalized plant and K represents the overall controller. Both G and K are assumed

to be discrete time, linear and time invariant. The controller K needs to be distributively implemented in some fashion that is dictated by some computational power constraints and/or an overall pre-specified structure such as, e.g., nested structure characterized by a block triangular structure of the transfer matrix K [10] or, banded structure where neighboring subsystems interact with each other with one step delay [4]. For information on recent work on distributed control with and/or without structural constraints that lead to convex synthesis problems we refer to [1], [2], [5], [7], [8], [9]. Whether or not structural constraints are imposed, the question of distributive realization of a controller is an issue as many realizations/implementations are possible. For

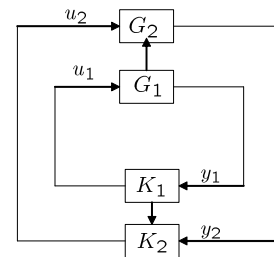


Fig. 2. Nested structured system

example, consider the case shown in Figure 2 where a triangular structure is imposed, such that location K_2 can obtain information from K_1 but there is no flow of information from K_2 to K_1 . K_1 and K_2 can be obtained as parts of the overall controller K which needs to be nested, i.e., of the form $K = \begin{bmatrix} K_{11} & 0 \\ K_{21} & K_{22} \end{bmatrix}$. Given a stabilizing K , there is a highly non-unique way to identify K_1 and K_2 as this depends on what signals are transmitted. For example, among the infinitely many, $K_1 = \begin{bmatrix} K_{11} \\ K_{21} \end{bmatrix}$ and $K_2 = \begin{bmatrix} I & K_{22} \end{bmatrix}$ or $K_1 = \begin{bmatrix} K_{11} \\ I \end{bmatrix}$ and $K_2 = \begin{bmatrix} K_{21} & K_{22} \end{bmatrix}$ are two possible functional identifications. Both are identical in the absence of sub-controller to sub-controller communication noise. However, different implementations will yield different performance with respect to communication noise that affects the transmission of information from K_1 to K_2 . In [10] a particular architecture is described that leads to closed

*This work was supported by NSF under grants No. NSF CCR 0085917 ITR and NSF CMS 0201516

loop maps with noise as input, which are convex in the Youla-Kucera parameter Q . The architectural developments in [10] were based totally from a controller coprime factor representation perspective which relied on the underlying nested structure.

In this paper, we take a broader and more intuitive point of view that applies to both structured and unstructured K s. It relies primarily on the observer based parameterization of all stabilizing K . We first consider distributing an observer based controller and identify what are the signals needed to be transmitted via communication channels and how noise enters into the overall picture. We show that with the particular architectures provided, the effect of noise on the performance can be precisely characterized as a convex problem in the parameter Q . Based on this development, we also provide architectures with similar properties for banded controller structures.

The paper is organized as follows: in Section 2 we provide an observer based distributed controller architecture such that the input-output map from sub-controller to sub-controller communication noise to the regulated variables of interest is affine in Q . The optimal performance problem to design the controller in presence of sub-controller to sub-controller communication noise is formed in Section 3. In Section 4, we study the banded structure problem. We conclude in Section 5.

II. OBSERVER BASED DISTRIBUTED CONTROLLER ARCHITECTURE

We consider herein the case where the overall controller K is unstructured and we are interested to design and distribute K , for simplicity, into two sub-controllers K_1 and K_2 (similar to the setup shown in Figure 2 but with the two way transmission between inner and outer nests). Generalizations to the case of n sub-controllers follows similarly. In particular, let the state space realization of G_{22} , the part of G in Figure 1 that maps the control input u to the measured output y , be as $\left[\begin{array}{c|c} A & B \\ \hline C & 0 \end{array} \right]$ where A, B , and C are given by

$$G_{22} : \begin{pmatrix} x_1^+ \\ x_2^+ \end{pmatrix} = \begin{pmatrix} A_{11} & A_{12} \\ A_{21} & A_{22} \end{pmatrix} \begin{pmatrix} x_1 \\ x_2 \end{pmatrix} + \begin{pmatrix} B_{11} & B_{12} \\ B_{21} & B_{22} \end{pmatrix} \begin{pmatrix} u_1 \\ u_2 \end{pmatrix}$$

$$\begin{pmatrix} y_1 \\ y_2 \end{pmatrix} = \begin{pmatrix} C_{11} & 0 \\ 0 & C_{22} \end{pmatrix} \begin{pmatrix} x_1 \\ x_2 \end{pmatrix}.$$

That is, the plant can be considered as the interconnection of two subsystems $\{G_i\}_{i=1,2}$ with the corresponding local variables x_i , u_i and y_i . The fact that we use diagonal C and no feed-through terms is for simplicity in the expressions and does not change the development. Initially we proceed by providing sub-controller architectures for a basic observer based K that will form the basis for parameterizing all K . To this end, assume that overall system $\left[\begin{array}{c|c} A & B \\ \hline C & 0 \end{array} \right]$

is stabilizable and detectable and let F and L be such that $A - BF$ and $A - LC$ have stable eigenvalues (Hurwitz). Then, an observer based (centrally) stabilizing controller K is given by

$$K : \begin{pmatrix} \bar{x}_1^+ \\ \bar{x}_2^+ \end{pmatrix} = \begin{pmatrix} A_{11} & A_{12} \\ A_{21} & A_{22} \end{pmatrix} \begin{pmatrix} \bar{x}_1 \\ \bar{x}_2 \end{pmatrix} + \begin{pmatrix} B_{11} & B_{12} \\ B_{21} & B_{22} \end{pmatrix} \begin{pmatrix} u_1 \\ u_2 \end{pmatrix} + \begin{pmatrix} L_{11} & L_{12} \\ L_{21} & L_{22} \end{pmatrix} \begin{pmatrix} y_1 - \bar{y}_1 \\ y_2 - \bar{y}_2 \end{pmatrix}$$

$$\begin{pmatrix} \bar{y}_1 \\ \bar{y}_2 \end{pmatrix} = \begin{pmatrix} C_{11} & 0 \\ 0 & C_{22} \end{pmatrix} \begin{pmatrix} \bar{x}_1 \\ \bar{x}_2 \end{pmatrix}$$

$$\begin{pmatrix} u_1 \\ u_2 \end{pmatrix} = - \begin{pmatrix} F_{11} & F_{12} \\ F_{21} & F_{22} \end{pmatrix} \begin{pmatrix} \bar{x}_1 \\ \bar{x}_2 \end{pmatrix}.$$

Let, $x = (x_1', x_2')'$, $u = (u_1', u_2')'$, $y = (y_1', y_2')'$, $\bar{x} = (\bar{x}_1', \bar{x}_2')'$, $\bar{y} = (\bar{y}_1', \bar{y}_2')'$, and $e = y - \bar{y}$. This controller K can now be split into two sub-controllers K_1 and K_2 in conformity with the underlying plant subsystems G_1 and G_2 as

$$G_1 : x_1^+ = \begin{pmatrix} A_{11} & A_{12} \end{pmatrix} \begin{pmatrix} x_1 \\ x_2 \end{pmatrix} + \begin{pmatrix} B_{11} & B_{12} \end{pmatrix} \begin{pmatrix} u_1 \\ u_2 \end{pmatrix}$$

$$y_1 = C_{11}x_1$$

$$K_1 : \bar{x}_1^+ = \begin{pmatrix} A_{11} & A_{12} \end{pmatrix} \begin{pmatrix} \bar{x}_1 \\ \bar{x}_2 \end{pmatrix} + \begin{pmatrix} B_{11} & B_{12} \end{pmatrix} \begin{pmatrix} u_1 \\ u_2 \end{pmatrix} + \begin{pmatrix} L_{11} & L_{12} \end{pmatrix} \begin{pmatrix} y_1 - \bar{y}_1 \\ y_2 - \bar{y}_2 \end{pmatrix}$$

$$\bar{y}_1 = C_{11}\bar{x}_1$$

$$u_1 = - \begin{pmatrix} F_{11} & F_{12} \end{pmatrix} \begin{pmatrix} \bar{x}_1 \\ \bar{x}_2 \end{pmatrix},$$

$$G_2 : x_2^+ = \begin{pmatrix} A_{21} & A_{22} \end{pmatrix} \begin{pmatrix} x_1 \\ x_2 \end{pmatrix} + \begin{pmatrix} B_{21} & B_{22} \end{pmatrix} \begin{pmatrix} u_1 \\ u_2 \end{pmatrix}$$

$$y_2 = C_{22}x_2$$

$$K_2 : \bar{x}_2^+ = \begin{pmatrix} A_{21} & A_{22} \end{pmatrix} \begin{pmatrix} \bar{x}_1 \\ \bar{x}_2 \end{pmatrix} + \begin{pmatrix} B_{21} & B_{22} \end{pmatrix} \begin{pmatrix} u_1 \\ u_2 \end{pmatrix} + \begin{pmatrix} L_{21} & L_{22} \end{pmatrix} \begin{pmatrix} y_1 - \bar{y}_1 \\ y_2 - \bar{y}_2 \end{pmatrix}$$

$$\bar{y}_2 = C_{22}\bar{x}_2$$

$$u_2 = - \begin{pmatrix} F_{21} & F_{22} \end{pmatrix} \begin{pmatrix} \bar{x}_1 \\ \bar{x}_2 \end{pmatrix}.$$

In the above realization of K , K_1 needs three external signals y_2 , \bar{x}_2 and u_2 from K_2 . This can be achieved by transmitting only two signals y_2 and \bar{x}_2 from K_2 to K_1 because u_2 can then be computed at K_1 using the received \bar{x}_2 . Similarly, K_2 will need y_1 and \bar{x}_1 from K_1 . Thus, if this information is passed to each other, the system will be closed loop stable as the centralized K is recovered. In the presence of communication noise between K_1 and K_2 , the closed loop stability is still preserved. Indeed, let the noise affecting the transmitted $\bar{x}_1, y_1, \bar{x}_2$, and y_2 variables be $w_{\bar{x}_1}, w_{y_1}, w_{\bar{x}_2}$, and w_{y_2} , respectively. Let the received signals be $\bar{x}_1^r = \bar{x}_1 + w_{\bar{x}_1}, y_1^r = y_1 + w_{y_1}, \bar{x}_2^r = \bar{x}_2 +$

$w_{\bar{x}2}$, and $y_2^r = y_2 + w_{y2}$. Control signals and error signals can be computed using local signals and received external signals. Then, the state dynamics for K_1 and K_2 are given by:

$$\begin{aligned}\bar{x}_1^+ &= (A_1 - L_1C - B_1F)\bar{x} + L_1Cx \\ &+ (A_{12} - L_{12}C_{22} - B_{11}F_{12} - B_{12}F_{22})w_{\bar{x}2} + L_{12}w_{y2} \\ \bar{x}_2^+ &= (A_2 - L_2C - B_2F)\bar{x} + L_2Cx \\ &+ (A_{21} - L_{21}C_{11} - B_{21}F_{11} - B_{22}F_{21})w_{\bar{x}1} + L_{21}w_{y1}\end{aligned}$$

where in the above we use the notation M_i to denote the i^{th} row of a matrix M . Thus, the closed loop state space equation with noise as input, and state as (x, \bar{x}) is

$$\begin{pmatrix} x^+ \\ \bar{x}^+ \end{pmatrix} = \begin{pmatrix} A & -BF \\ LC & A - LC - BF \end{pmatrix} \begin{pmatrix} x \\ \bar{x} \end{pmatrix} + \begin{pmatrix} 0 \\ B_w \end{pmatrix} w$$

where $w := (w'_{\bar{x}1}, w'_{y1}, w'_{u1}, w'_{\bar{x}2}, w'_{y2}, w'_{u2})'$ and $B_w =$

$$\begin{pmatrix} 0 & (A_{21} - L_{21}C_{11} - B_{21}F_{11})' \\ 0 & L'_{21} \\ 0 & 0 \\ (A_{12} - L_{12}C_{22} - B_{12}F_{22})' & 0 \\ L'_{12} & 0 \\ 0 & 0 \end{pmatrix}'$$

Thus, the closed loop is stable in the presence of noise w . In above definition of w , w_{ui} 's are transmission errors in transmitting u_i 's. In this case, contrary to the case that follows, there is no need to transmit u_i 's (since they can readily be computed using the state information). This is indicated by having the corresponding blocks in B_w equal to 0.

Next, we proceed by looking at all possible stabilizing K using this basic observer structure and the Youla-Kucera parameter and provide an architecture for each sub-controller. As it is well known [11], we can parameterize all internally (centrally) stabilizing controllers K by adding a stable transfer function Q between the error signal of observer e and the control input u . Let, Q be given by $\begin{pmatrix} Q_1 \\ Q_2 \end{pmatrix} = \begin{pmatrix} Q_{11} & Q_{12} \\ Q_{21} & Q_{22} \end{pmatrix}$ with $Q_i = \left[\begin{array}{c|c} A_{Qi} & B_{Qi} \\ \hline C_{Qi} & D_{Qi} \end{array} \right]$. Implementing Q_1 at K_1 and Q_2 at K_2 , we can write the following state equations for the two sub-controllers:

$$\begin{aligned}K_1 : \bar{x}_1^+ &= (A_1 - B_1F) \begin{pmatrix} \bar{x}_1 \\ \bar{x}_2 \end{pmatrix} + B_1 \begin{pmatrix} v_1 \\ v_2 \end{pmatrix} \\ &+ L_1 \begin{pmatrix} e_1 \\ e_2 \end{pmatrix} \\ \bar{y}_1 &= C_{11}\bar{x}_1 \\ u_1 &= -F_1 \begin{pmatrix} \bar{x}_1 \\ \bar{x}_2 \end{pmatrix} + v_1 \\ e_1 &= y_1 - C_{11}\bar{x}_1 \\ x_{Q1}^+ &= A_{Q1}x_{Q1} + B_{Q1} \begin{pmatrix} e_1 \\ e_2 \end{pmatrix} \\ v_1 &= C_{Q1}x_{Q1} + D_{Q1} \begin{pmatrix} e_1 \\ e_2 \end{pmatrix},\end{aligned}$$

$$\begin{aligned}K_2 : \bar{x}_2^+ &= (A_2 - B_2F) \begin{pmatrix} \bar{x}_1 \\ \bar{x}_2 \end{pmatrix} + B_2 \begin{pmatrix} v_1 \\ v_2 \end{pmatrix} \\ &+ L_2 \begin{pmatrix} e_1 \\ e_2 \end{pmatrix} \\ \bar{y}_2 &= C_{22}\bar{x}_2 \\ u_2 &= -F_2 \begin{pmatrix} \bar{x}_1 \\ \bar{x}_2 \end{pmatrix} + v_2 \\ e_2 &= y_2 - C_{22}\bar{x}_2 \\ x_{Q2}^+ &= A_{Q2}x_{Q2} + B_{Q2} \begin{pmatrix} e_1 \\ e_2 \end{pmatrix} \\ v_2 &= C_{Q2}x_{Q2} + D_{Q2} \begin{pmatrix} e_1 \\ e_2 \end{pmatrix}.\end{aligned}$$

Compared to the case where $Q = 0$, here we need to transmit one more signal u_2 from K_2 to K_1 . Similarly, K_2 needs u_1 from K_1 . Stability in the case where there is no communication noise follows from the fact that K is recovered. Note that the fact that the overall Q may not be minimally realized does not generate undetectable and/or non-stabilizable modes as it is a stable system.

Closed loop stability is preserved in the presence of noise. Indeed, let the received signals at K_2 be $\bar{x}_1^r = \bar{x}_1 + w_{\bar{x}1}$, $y_1^r = y_1 + w_{y1}$, $u_1^r = u_1 + w_{u1}$, and at K_1 be $\bar{x}_2^r = \bar{x}_2 + w_{\bar{x}2}$, $y_2^r = y_2 + w_{y2}$ and $u_2^r = u_2 + w_{u2}$. Let, the generated signals at K_2 be $v_1^r = v_1 + w_{u1} + F_{11}w_{\bar{x}1}$, $v_2^r = v_2 + D_{Q2}^{21}w_{y1} + D_{Q2}^{21}C_{11}w_{\bar{x}1}$ and $e_1^r = e_1 + w_{y1} + C_{11}w_{\bar{x}1}$, and at K_1 be $v_2^r = v_2 + w_{u2} + F_{22}w_{\bar{x}2}$, $v_1^r = v_1 + D_{Q1}^{12}w_{y2} + D_{Q1}^{12}C_{22}w_{\bar{x}2}$ and $e_2^r = e_2 + w_{y2} + C_{22}w_{\bar{x}2}$, where M^{ij} denotes the ij^{th} entry of any matrix M . We can write the state space equation for the nominal controller K_w with y, w and v as input signals and u, e as output signals as given by

$$\begin{aligned}K_w : \bar{x}^+ &= (A - BF - LC)\bar{x} + Bv + Ly + Sw \\ u &= -F\bar{x} + v + Rw \\ e &= -C\bar{x} + y\end{aligned}$$

where $S = (S'_1 \ S'_2)'$ and $R = (R'_1 \ R'_2)'$ where $S_1 =$

$$\begin{pmatrix} 0 \\ 0 \\ 0 \\ (A_{12} - B_{11}F_{12} - B_{12}F_{22} + B_{11}D_{Q1}^{12}C_{22} + B_{12}F_{22} - L_{12}C_{22})' \\ (B_{11}D_{Q1}^{12} + L_{12})' \\ B'_{12} \end{pmatrix}'$$

$S_2 =$

$$\begin{pmatrix} (A_{21} - B_{21}F_{11} - B_{22}F_{21} + B_{22}D_{Q2}^{11}C_{11} + B_{21}F_{11} - L_{21}C_{11})' \\ (B_{22}D_{Q2}^{11} + L_{21})' \\ B'_{21} \\ 0 \\ 0 \\ 0 \end{pmatrix}'$$

$$R_1 = \begin{pmatrix} 0 \\ 0 \\ 0 \\ (-F_{12} + B_{11}D_{Q1}^{12}C_{22} + B_{12}F_{22})' \\ (B_{11}D_{Q1}^{12} + L_{12})' \\ B_{12}' \end{pmatrix}'$$

$$\text{and } R_2 = \begin{pmatrix} (-F_{21} + B_{22}D_{Q2}^{11}C_{11} + B_{21}F_{11})' \\ (B_{22}D_{Q2}^{11} + L_{21})' \\ B_{21}' \\ 0 \\ 0 \\ 0 \end{pmatrix}'.$$

The state space equation of Youla-Kucera parameter Q can also be written as a function of e and w as given by

$$Q_w : x_Q^+ = \begin{pmatrix} A_{Q1} & 0 \\ 0 & A_{Q2} \end{pmatrix} x_Q + \begin{pmatrix} B_{Q1} \\ B_{Q2} \end{pmatrix} e$$

$$+ \begin{pmatrix} B_{Q1}W_1 \\ B_{Q2}W_2 \end{pmatrix} w$$

$$v = \begin{pmatrix} C_{Q1} & 0 \\ 0 & C_{Q2} \end{pmatrix} x_Q + \begin{pmatrix} D_{Q1} \\ D_{Q2} \end{pmatrix} e$$

$$+ \begin{pmatrix} D_{Q1}W_1 \\ D_{Q2}W_2 \end{pmatrix} w$$

where

$$W_1 = \begin{pmatrix} 0 & 0 & 0 & 0 & 0 & 0 \\ -C_{22} & I & 0 & 0 & 0 & 0 \end{pmatrix}$$

and

$$W_2 = \begin{pmatrix} 0 & 0 & 0 & -C_{11} & I & 0 \\ 0 & 0 & 0 & 0 & 0 & 0 \end{pmatrix}.$$

$$\text{Let, } S_Q = \begin{pmatrix} B_{Q1}W_1 \\ B_{Q2}W_2 \end{pmatrix} \text{ and } R_Q = \begin{pmatrix} D_{Q1}W_1 \\ D_{Q2}W_2 \end{pmatrix}.$$

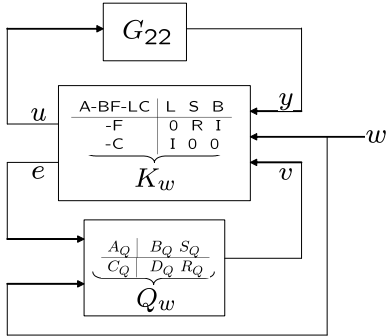


Fig. 3. Observer based distributed controller in LFT form, with communication noise as external input

We can now draw an LFT form of the closed loop map of the observer based controller with w as an additional input as in Figure 3. Note, that if $Q = 0$, the closed loop map is stabilized by the nominal K_w . This implies that in the case $Q = 0$, the closed loop map Φ_{ew} from w to e is stable. The closed loop map from v to e is 0. Thus, it is sufficient to check the internal stability of the simplified interconnection in Figure 4. $Q = \begin{pmatrix} Q_1 \\ Q_2 \end{pmatrix}$ is a stable map

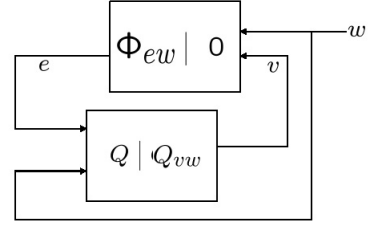


Fig. 4. Redrawing Figure 3 in terms of transfer functions, Φ_{ew} is the closed loop map from w to e

from e to v and therefore the map $Q_{vw} = \begin{pmatrix} Q_1W_1 \\ Q_2W_2 \end{pmatrix}$ from w to v is also stable (W_1 and W_2 are fixed matrices) as it is evident from the state equation of Q_w . Hence, it follows from Figure 4 that the map from w to any internal signal of the interconnection is stable. That is, the closed loop is internally stable.

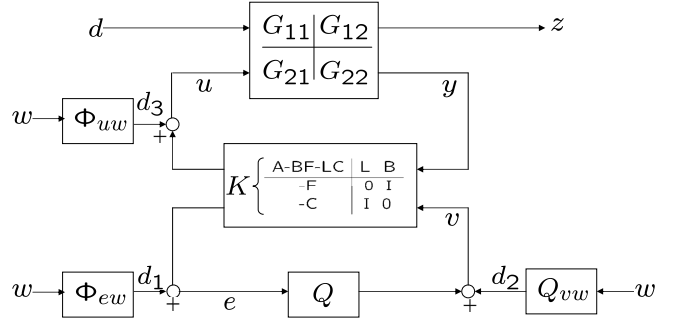


Fig. 5. Simplified block diagram of parameterized observer based controller with filtered noise as exogenous inputs

III. THE PERFORMANCE PROBLEM

A block diagram of the parameterized observer based distributed controller for the generalized plant G as realized in the previous section, with sub-controller to sub-controller noise w is shown in Figure 5. In this figure, the effect of w on the system is represented by the inputs $d_1 = \Phi_{ew}w$, $d_2 = Q_{vw}w$ and $d_3 = \Phi_{uw}w$ where, as with Φ_{ew} , Φ_{uw} is the map from w to u when $Q = 0$.

Let z be the regulated variable and Φ be the resulting closed loop transfer function from $(d', w)'$ to z in Figure 5. Now, referring to the equivalent Figure 6, let $H : d \mapsto z$, $V : d \mapsto e$, $\tilde{H} : d_3 \mapsto z$, $\tilde{V} : d_3 \mapsto e$ and $-U : v \mapsto z$ when $Q = 0$. Then, the closed loop map from d to z is $H - UQV$, from d_1 to z is $-UQ$, from d_2 to z is $-U$ and

from d_3 to z is $\tilde{H} - UQ\tilde{V}$. Thus, the closed loop map from w to z is $\tilde{H}\Phi_{uw} - UQ\tilde{V}\Phi_{uw} - UQ\Phi_{ew} - UQ_{vw}$. Note that Φ_{ew} and Φ_{uw} are stable and independent of Q while Q_{vw} is linear in Q . Thus, $w \mapsto z$ is affine in Q . The resulting

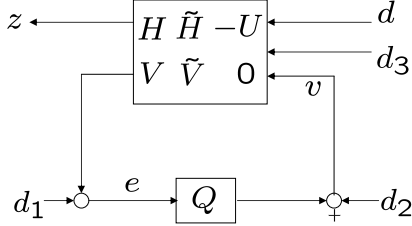


Fig. 6. Equivalent performance problem

optimal performance problem can be written as:

$$\begin{aligned} \mu &= \inf_{K\text{-stabilizing}} \|\Phi(K)\| = \inf_{\text{stable } Q} \|\Phi(Q)\| \\ &= \inf_{\text{stable } Q} \|H - UQV \quad \tilde{H}\Phi_{uw} - U(Q(\tilde{V}\Phi_{uw} + \Phi_{ew}) + Q_{vw})\| \end{aligned}$$

The above convex optimization problem can be formulated as a problem with structural constraint on parameter Q . Let, \bar{Q} be defined as $\bar{Q} = \text{diag}(Q_1, Q_2)$. The above problem can be rewritten in terms of \bar{Q} as:

$$\mu = \underbrace{\inf_{\substack{\text{stable } \bar{Q} \\ \text{block diag } \bar{Q}}} \| [H_1 - U_1\bar{Q}V_1, H_2 - U_2\bar{Q}V_2] \|$$

where $H_1 = H$, $H_2 = \tilde{H}\Phi_{uw}$, $U_1 = U_2 = U$, $V_1 = [V' \ V']'$ and $V_2 = [(\tilde{V}\Phi_{uw} - \Phi_{ew})' \ (\tilde{V}\Phi_{uw} + \Phi_{ew})']' - [W_1' \ W_2']'$. Above problem can be further written as

$$\mu = \underbrace{\inf_{\substack{\text{stable } Z, Z = \text{diag}(\bar{Q}, \bar{Q}), \text{block diag } \bar{Q}}} \|T_1 - T_2 Z T_3\|$$

where $T_1 = [H_1 \ H_2]$, $T_2 = \text{diag}(U_1, U_2)$ and $T_3 = [V_1' \ V_2']'$.

Thus, utilizing the architectures previously described, we can precisely characterize the effect of the communication noise in a convex manner using a structured parameter. The underlying structured controller synthesis problem can be efficiently solved using the method described in [3], [5]. However, it should be noted that this characterization depends on the information signals that are transmitted between the sub-controllers which in turn depend on F and L of the observer based controller (note that Φ_{ew} , Φ_{uw} depend on the parameters F and L). Hence, this suggests a $F-L-Q$ iteration to further improve the overall performance if necessary. This problem may not in general lead to a convex formulation.

IV. BANDED STRUCTURES

In this section, we consider banded structures for the controller K and provide distributed architectures for its implementation. The banded system structure is characterized by one step delay in subsystem interactions as depicted in Figure 7. As it turns out all banded controllers can be appropriately parameterized in terms of the Youla-Kucera parameter Q which has banded structure [4]. Herein we provide an observer based parameterization that leads to a way of realizing the structured controller distributively similar to previous section. To this end, consider the overall

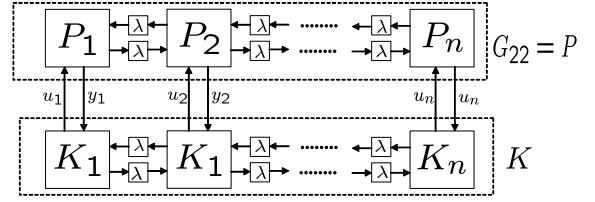


Fig. 7. Banded structure system.

system P composed of subsystems P_i with dynamics of the form

$$\begin{aligned} x_i(t+1) &= \sum_{j=1}^n A_{ij} x_j(t - |i-j|) \\ &\quad + \sum_{j=1}^n B_{ij} u_j(t - |i-j|) \\ y_i(t) &= \sum_{j=1}^n C_{ij} x_j(t - |i-j|) \\ &\quad + \sum_{j=1}^n D_{ij} u_j(t - |i-j|) \\ x_i^+(t) &:= x_i(t+1) \end{aligned}$$

where x_i is the local state, u_i is the local control, and y_i is the local measurement variables. That is, each subsystem interacts with each neighbor with one step delay. Using a λ -transform representation and writing x_i^+ for $\lambda^{-1}x_i$, we can rewrite the i th subsystem dynamics as

$$\begin{aligned} x_i^+ &= \sum_{j=1}^n A_{ij} \lambda^{|i-j|} x_j + \sum_{j=1}^n B_{ij} \lambda^{|i-j|} u_j \\ y_i &= \sum_{j=1}^n C_{ij} \lambda^{|i-j|} x_j + \sum_{j=1}^n D_{ij} \lambda^{|i-j|} u_j. \end{aligned}$$

The overall system dynamics can be compactly described as

$$\begin{aligned} x^+ &= A(\lambda)x + B(\lambda)u \\ y &= C(\lambda)x + D(\lambda)u \end{aligned} \quad (1)$$

where

$$\begin{aligned}
A(\lambda) &= \begin{pmatrix} A_{11} & \cdots & \lambda^{n-1}A_{1n} \\ \vdots & & \vdots \\ \lambda^{n-1}A_{n1} & \cdots & A_{nn} \end{pmatrix}, \\
B(\lambda) &= \begin{pmatrix} B_{11} & \cdots & \lambda^{n-1}B_{1n} \\ \vdots & & \vdots \\ \lambda^{n-1}B_{n1} & \cdots & B_{nn} \end{pmatrix}, \\
C(\lambda) &= \begin{pmatrix} C_{11} & \cdots & \lambda^{n-1}C_{1n} \\ \vdots & & \vdots \\ \lambda^{n-1}C_{n1} & \cdots & C_{nn} \end{pmatrix}, \\
D(\lambda) &= \begin{pmatrix} D_{11} & \cdots & \lambda^{n-1}D_{1n} \\ \vdots & & \vdots \\ \lambda^{n-1}D_{n1} & \cdots & D_{nn} \end{pmatrix},
\end{aligned}$$

$$\begin{aligned}
x &= (x'_1, \dots, x'_n)', u = (u'_1, \dots, u'_n)', \\
y &= (y'_1, \dots, y'_n)'.
\end{aligned}$$

We note that in the representation in Equation 1 the matrices involved correspond to banded structures. We assume that the overall system is distributively stabilizable by a controller K that is banded too, i.e., it consists of sub-controllers K_i that pass information to their neighbors with one step delay. The system P can be brought into a standard state-space form by introducing the state variable

$$\chi = (x' \ \lambda x' \ \cdots \ \lambda^{n-1} x' \ \lambda u' \ \lambda^2 u' \ \cdots \ \lambda^{n-1} u')'$$

to obtain

$$\begin{aligned}
\chi^+ &= \bar{A}\chi + \bar{B}u \\
y &= \bar{C}\chi + \bar{D}u
\end{aligned} \quad (2)$$

where $\bar{A}, \bar{B}, \bar{C}, \bar{D}$ are constant matrices independent of λ .

We will assume now that this is stabilizable in the following sense: there exists a constant gain \bar{F} such that

$$u = -\bar{F}\chi$$

stabilizes the system (i.e., $\bar{A} - \bar{B}\bar{F}$ Hurwitz) while it respects the sub-controller to sub-controller information exchange pattern. That is to say that u_i should depend only on a subset of χ given by $\{\lambda^{|i-j|}x_j\}_{j=1}^n, \{\lambda^{|i-j|}u_j\}_{j=1}^n$ i.e.,

$$\begin{aligned}
u = \bar{F}_{0,x}x + \bar{F}_{1,x}\lambda x + \cdots + \bar{F}_{n-1,x}\lambda^{n-1}x + \bar{F}_{1,u}\lambda u \\
+ \cdots + \bar{F}_{n-1,u}\lambda^{n-1}u
\end{aligned}$$

with $F_{i,x}, F_{i,u}$ being $(2i+1)$ -diagonal matrices. More compactly, one can represent the above as

$$u = \bar{F}_x(\lambda)x + \bar{F}_u(\lambda)u$$

where $\bar{F}_x(\lambda), \bar{F}_u(\lambda)$ are banded structures. Since addition, multiplication and inversion preserve the banded structure, solving for u leads to

$$u = F(\lambda)x$$

with $F(\lambda)$ being also a banded map of the form $F(\lambda) = \begin{pmatrix} F_{11}(\lambda) & \lambda F_{12}(\lambda) & \cdots & \lambda^{n-1}F_{1n}(\lambda) \\ \vdots & \vdots & \vdots & \vdots \\ \lambda^{n-1}F_{n1}(\lambda) & \lambda^{n-2}F_{n2} & \cdots & F_{nn}(\lambda) \end{pmatrix}$. It should be clear that for a given \bar{F} there is a unique $F(\lambda)$ to associate with.

As with stabilizability, we assume that the system is detectable in the following sense: There exists a constant gain \bar{L} such that an observer

$$\bar{x}^+ = \bar{A}\bar{x} + \bar{L}(y - \bar{y}), \quad \bar{y} = \bar{C}\bar{x} \quad (3)$$

has stable state error estimate dynamics (i.e., $\bar{A} - \bar{L}\bar{C}$ is Hurwitz) with \bar{x}_i^+ depending only on a subset of available measurements that is consistent with the information pattern, i.e., on $\{\lambda^{|i-j|}y_j\}_{j=1}^n$. Thus, if $\bar{L} = (L'_{0,\bar{x}} \ L'_{\bar{x}/\bar{x}})'$ the constraint is that $L'_{0,\bar{x}}$ is diagonal which in turn leads, after simple manipulations in Equation 3, to a compact representation for the above observer

$$\begin{aligned}
\bar{x}^+ &= A(\lambda)\bar{x} + L(\lambda)(y - \bar{y}) \\
\bar{y} &= C(\lambda)\bar{x}
\end{aligned}$$

where $L(\lambda)$ is a banded system $L(\lambda) = \begin{pmatrix} L_{11}(\lambda) & \cdots & \lambda^{n-1}L_{1n}(\lambda) \\ \vdots & & \vdots \\ \lambda^{n-1}L_{n1}(\lambda) & \cdots & L_{nn}(\lambda) \end{pmatrix}$. Again we note

that there is a unique $L(\lambda)$ for a given \bar{L} . Thus, all stabilizing controllers can be parameterized as

$$\begin{aligned}
\bar{x}^+ &= A(\lambda)\bar{x} + B(\lambda)u + L(\lambda)(y - \bar{y}) \\
\bar{y} &= C(\lambda)\bar{x} + D(\lambda)u \\
u &= -F(\lambda)\bar{x} + v
\end{aligned}$$

where $v = Q(\lambda)e$, $e = y - \bar{y}$ and Q is stable and banded. The parameter Q being banded is a necessary and sufficient condition for the controller K to be banded. This follows as $A(\lambda), B(\lambda), L(\lambda), C(\lambda), D(\lambda), F(\lambda)$ are banded and thus, using the standard formulas to obtain a factorization of P from the above observer based controller leads to coprime factors that are banded [4].

The above observer-based parameterization also provides a way of implementing distributively the controller K . Namely, each sub-controller K_i can be obtained in a compact form as

$$\begin{aligned}
\bar{x}_i^+ &= \sum_{j=1}^n A_{ij}\lambda^{|i-j|}\bar{x}_j + \sum_{j=1}^n B_{ij}\lambda^{|i-j|}u_j + L_i(\lambda)(y - \bar{y}) \\
\bar{y}_i &= \sum_{j=1}^n C_{ij}\lambda^{|i-j|}\bar{x}_j + \sum_{j=1}^n D_{ij}\lambda^{|i-j|}u_j \\
u_i &= -F_i(\lambda)\bar{x} + v_i \\
v_i &= Q_i(\lambda)(y - \bar{y})
\end{aligned}$$

which is similar to the previous section. The effect of communication noise can be captured in a similar manner leading to convex in Q problems.

V. CONCLUSION

In this paper we considered how to design and distribute a controller to various stations (sub-controllers) in the presence of noise in the sub-controller to sub-controller communication. Using an observer based controller parameterization, we provided suitable stabilizing sub-controller architectures that directly take into account the effect of communication noise on performance. In particular, the overall performance optimization was cast as a convex problem in the Youla-Kucera parameter Q . It was also indicated that similar results hold for banded controller structures, i.e., when there is a delay, in addition to noise, in the subsystem to subsystem communication.

REFERENCES

- [1] B. Bamieh, F. Paganini, and M.A. Dahleh. Distributed Control of spatially-invariant systems. *IEEE Trans. Automat. Control*, 47 (7), pp. 1091-1107, 2002.
- [2] R. D'Andrea and G. Dullerud. Distributed control of spatially interconnected systems. *IEEE Trans. Automat. Control*, 48 (9), pp. 1478-1495, 2003.
- [3] X. Qi, M. Khammash, and M. V. Salapaka. A Matlab Package for Multiobjective Control Synthesis. *Proceedings of the 40th IEEE Conference on Decision and Control, Orlando, FL*, December, 2001.
- [4] X. Qi, M. V. Salapaka, P. G. Voulgaris, and M. Khammash. Structured Optimal and Robust Control with Multiple Criteria: A Convex Solution. *Proceedings of the American Control Conference, Denver, Colorado*, 2003.
- [5] X. Qi, M. V. Salapaka, P. G. Voulgaris, and M. Khammash. Structured Optimal and Robust Control with Multiple Criteria: A Convex Solution. *Accepted for publication in IEEE Transactions on Automatic Control*, Vol. 49, No. 10, October, 2004.
- [6] researchweb.watson.ibm.com/resources/news/20020611_millipede.shtml.
- [7] M. Rotkowitz and S. Lall. Decentralized control information structures preserved under feedback. *CDC 02*, 2002.
- [8] P. G. Voulgaris. Control under a hierarchical decision making structure. *Proceedings of the American Control Conference, San Diego, California*, June, 1999.
- [9] P. G. Voulgaris. A Convex Characterization of Classes of Problems in Control with Specific Interaction and Communication Structures. *Proceedings of the American Control Conference, Arlington, Virginia*, June, 2001.
- [10] V. Yadav, P. G. Voulgaris, and M. V. Salapaka. Stabilization of nested systems with uncertain subsystem communication channels. *Proceedings of the 42nd IEEE Conference on Decision and Control, Orlando, FL*, December, 2003.
- [11] D. C. Youla, H. A. Jabr, and J. J. Bongiorno. Modern Wiener-Hopf design of optimal controllers—part 2: The multivariable case. *IEEE Transactions on Automatic Control*, Vol. 21, June, 1976.